



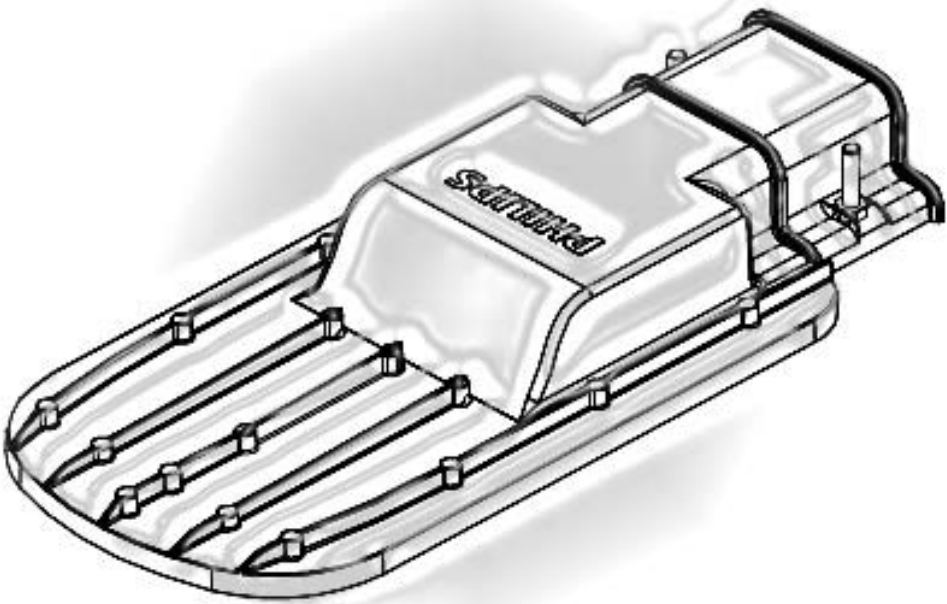
BRP210 StreetStar

innovation  you

PHILIPS

BRP210 StreetStar

Low Lumen package solution



BRP210 StreetStar

- BRP210 is developed to target rural development projects as well as industrial sites (e.g. security lighting).
- BRP210 offers competitive option for low lumen package street lighting while maintaining Philips quality standards and meeting all IEC 60598 requirements.
- Compact design for easy Point-to-point replacement of fluorescent and HID streetlights.



Key Features

- Aluminium canopy
- IP 66
- IK08
- Operating temperature $-40^{\circ}\text{C} < T_a < 55^{\circ}\text{C}$
- 3,100 lumen package (4000K), 27W

12NC	Description
911401822398	BRP210 LED31/NW 27W 220-240V DW3 MP1

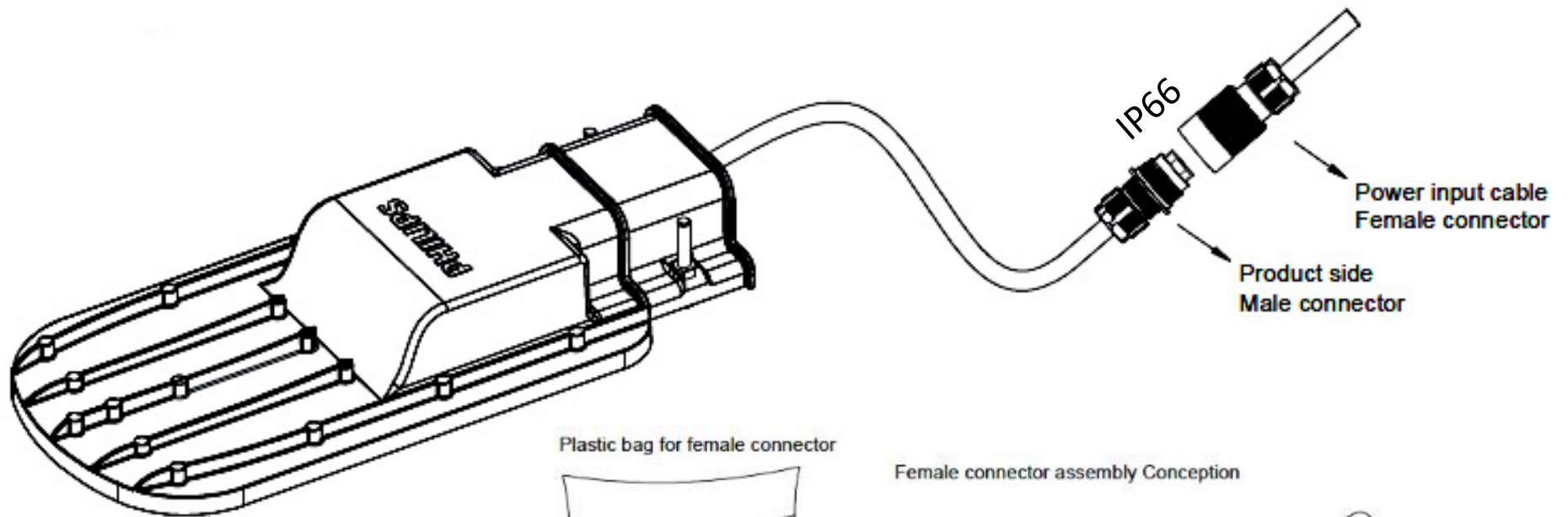
1.1 Kg
Compact Design



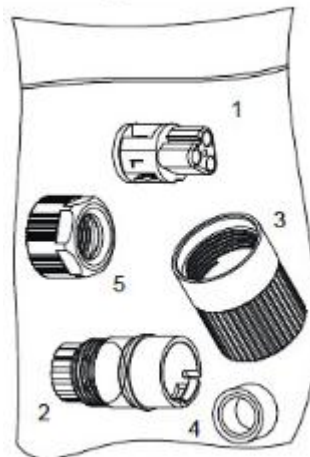
PHILIPS

BRP210 StreetStar

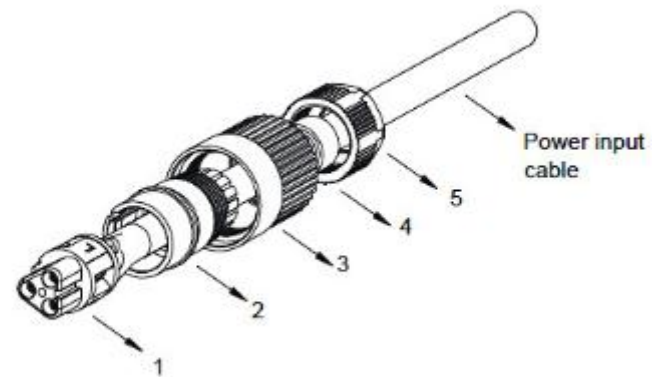
For easy and safe installation, BRP210 will come with prewired power cable and assembly of input connector.



Plastic bag for female connector



Female connector assembly Conception



Note: Please install the wire as the L,N & Earth mark which noted in the female connector

PHILIPS

BRP210 StreetStar

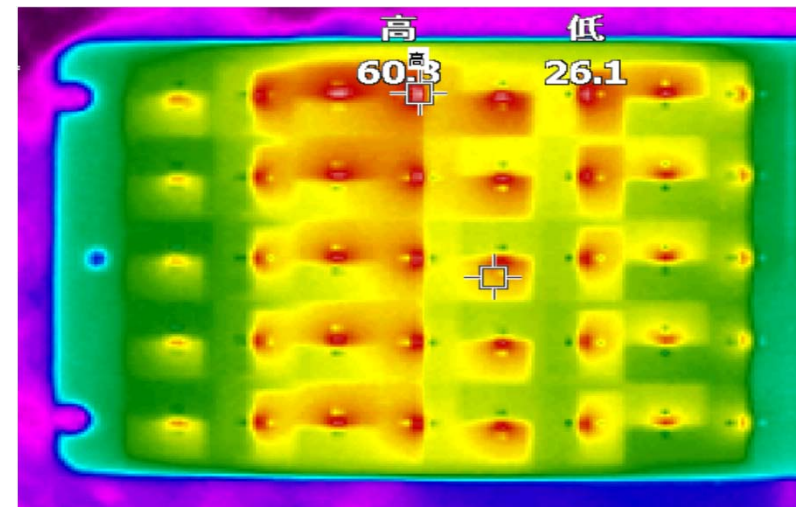
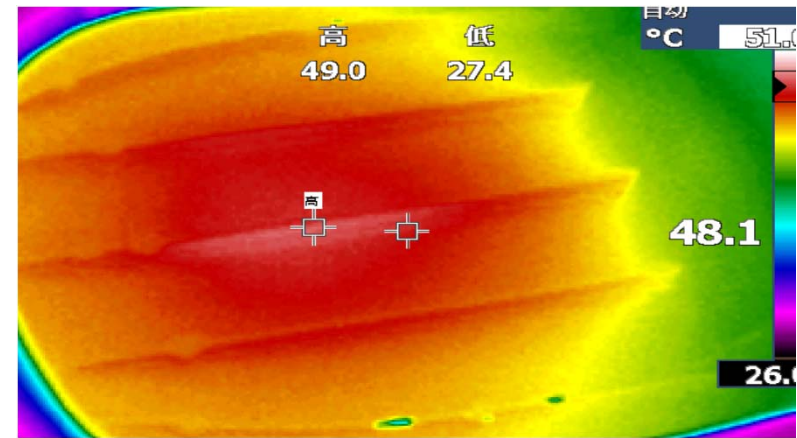
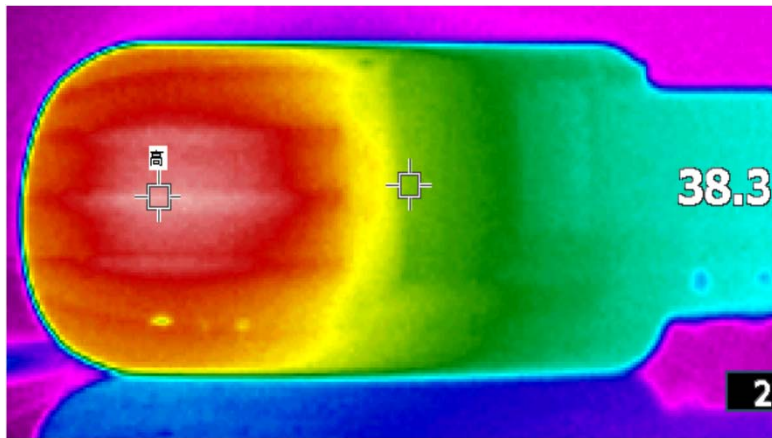
All the elements of products are tested under IEC 60598-1 clause 12.4 & 12.5 to ensure operations in higher ambient temperature.



Thermal testing is also done by covering the luminaire thermal fins

BRP210 StreetStar

All the elements of products are tested under IEC 60598-1 clause 12.4 & 12.5 to ensure operations in higher ambient temperature.

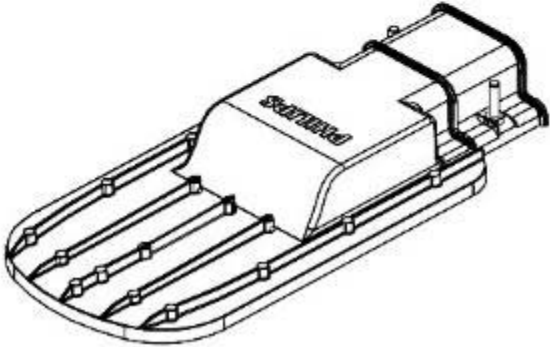
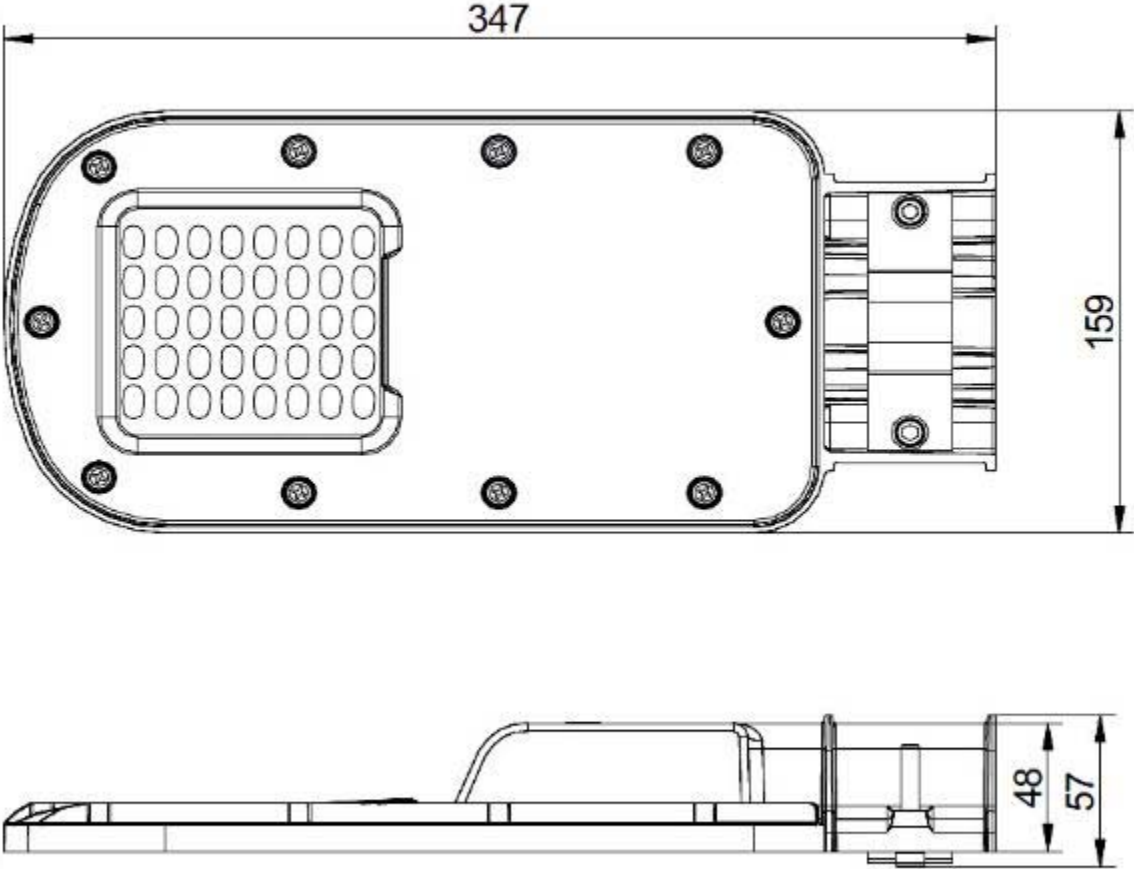


BRP210 StreetStar

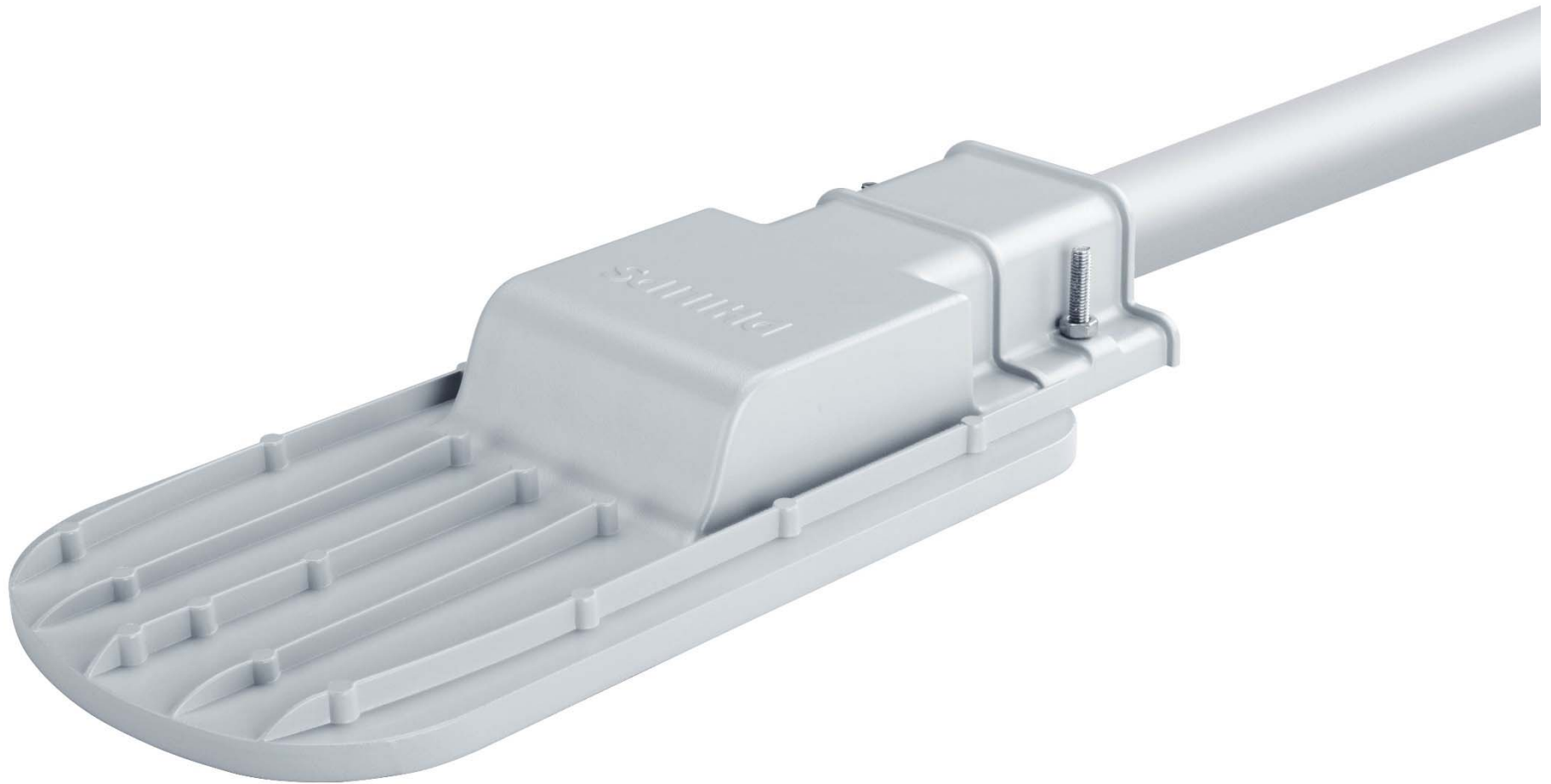
Product Elements	BRP210 StreetStar
Housing	Die-cast aluminum
	Grey RAL7040
	Salt spray test 500 hrs
Front Plastic Cover	UV resistant polycarbonate cover (Tarflon LEV2200KL)
LED Specification	4000K , CRI Min.70
Efficacy	>110 Lumen per watt
Optics	Multilayer DW3 optic
Rated/certificated voltage	AC: 220-240V (50/60Hz)
Power Factor	0.95
Dimming	Not available
Lifetime	50,000 hours @ 70% lm maintenance (Ta35 °C)
IP rating	IP66
IK rating	IK08
Mounting	Side Entry Φ40 - 60mm
Installation	Power input cable (0.5m) and connector (IP66) assembly included
Weight	1.1 Kg
Surge protection	10KV
Certifications	CB IEC60598, IEC61347-1, IEC61347-2-13, IEC62384, RoHS Declaration, AS/NZ 60598, Photobiological, LM80, EMC, EMF
Operating temp Wind speed Humidity	-40°C < Ta < 55°C Wind Force 83.5N Operation humidity: 93%

Drawings

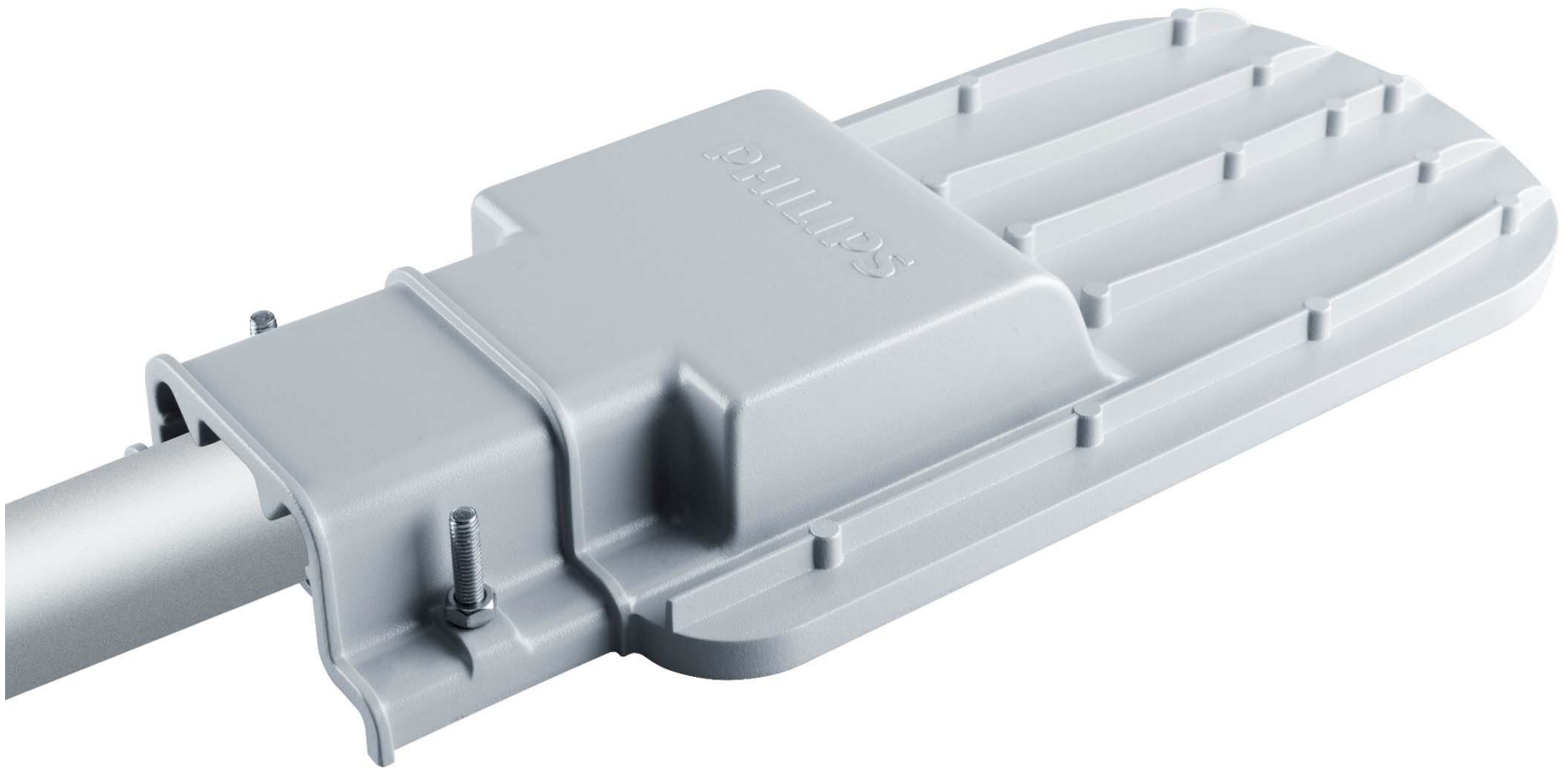
Unit in mm



Images



Images



Images



Images



Images



Images



